



PAR12X12L

12x 12W LED RGBWAU Parcan with IR Remote

USER MANUAL



For your safety, please read this user manual carefully before use.

Event Lighting reserves the right to revise the manual at any time. Information and specifications within this manual are subject to change without notice. Event Lighting assumes no liability or responsibility for any errors or omissions. Please contact your local Kookaburra Account Manager.

Version 1.0 (revised F November 2021)

Safety Instructions

Warning

- Do not open this device, there are no user serviceable parts inside. Risk of electric shock.
- Do not look directly at the light source from close range.
- Avoid contact with the unit during operation, as the housing may become hot. Allow the fixture to cool for at least 15 minutes after turning off before touching.
- Install this device in a location with adequate ventilation, at least 50cm from adjacent surfaces.
- Do not operate this device, or connect this device to power, within 50cm of any flammable material.
- Use a safety chain when mounting this device overhead.
- Do not operate this device outdoors where excessive dust, heat, water, or humidity may affect it.
- Do not operate this device if the housing, lenses, or cables appear damaged.
- Do not connect this device to a dimmer or rheostat.
- Do not operate this device at temperatures higher than 40°C (104°F).
- **Only** connect this device to a grounded and protected circuit.
- **Only** use the hanging bracket to carry this device.
- Stop using this device immediately if a serious operating problem becomes apparent.

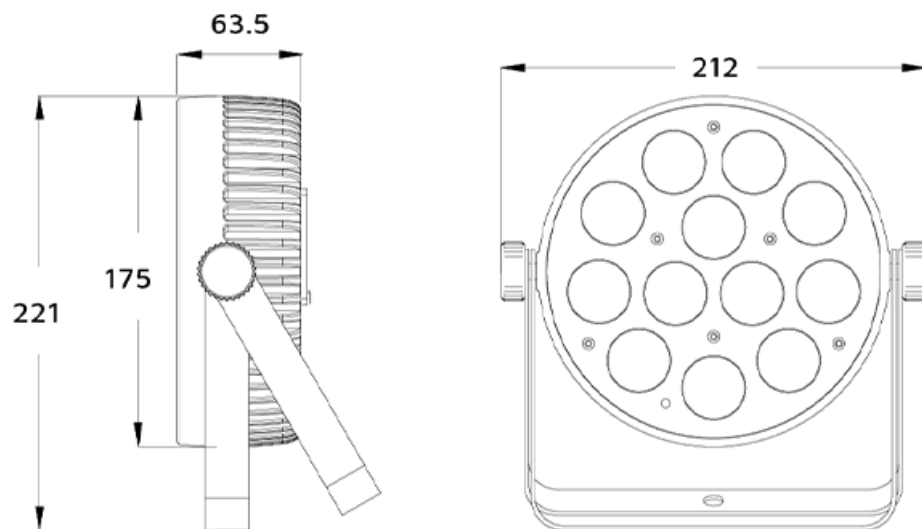
Coin/Button Cell Battery Safety Information

This product includes an IR remote that contains a coin/button cell battery. If the battery is swallowed, it can cause severe internal burns and, in extreme cases, can lead to death. Keep batteries away from children.

Product Installation

PAR12X12L can be mounted in many orientations, provided each individual device is secured by the use of the correct mounting bracket. Use a safety chain when mounting PAR12X12L overhead.

Dimensions



Lux Chart

Lux chart @40° (PAR12X12L)

| | 1m | 2m | 3m | 4m | 5m |
|------|-------|-------|-------|-------|-------|
| | Ø0.73 | Ø1.46 | Ø2.18 | Ø2.91 | Ø3.64 |
| R | 1,445 | 409 | 180 | 93 | 70 |
| G | 2,030 | 570 | 250 | 130 | 95 |
| B | 2,910 | 882 | 270 | 171 | 126 |
| W | 2,420 | 734 | 322 | 171 | 126 |
| A | 850 | 258 | 120 | 66 | 46 |
| UV | 840 | 264 | 120 | 66 | 49 |
| FULL | 8,550 | 2,580 | 1,123 | 543 | 423 |

Control Board Operation

Menu Map

| | | | | | |
|-------------|----|--------------|---|--------------|---|
| Addr | -> | d 1 | - | 05 12 | Select DMX address |
| CHNL | -> | CH-1 | or | CH-2 | Select DMX channel mode (CH-1: 6ch / CH-2: 11ch) |
| SP-- | -> | SP 0 | - | SP99 | Set program speed |
| Pr-- | -> | Pr 1 | - | Pr 13 | Select built-in program |
| SOUN | -> | Sou | Select sound active mode | | |
| Colo | -> | C 1 | - | C 15 | Select static colour mode (See static colour mode chart below) |
| Strb | -> | S. 00 | - | S. 20 | Set strobe speed (Hz) |
| rL-- | -> | r 0 | - | r255 | Set red colour intensity |
| gL-- | -> | G 0 | - | G255 | Set green colour intensity |
| bL-- | -> | b 0 | - | b255 | Set blue colour intensity |
| uL-- | -> | U 0 | - | U255 | Set white colour intensity |
| yL-- | -> | Y 0 | - | Y255 | Set amber colour intensity |
| PL-- | -> | P 0 | - | P255 | Set UV colour intensity |
| node | -> | nod0 | - | nod4 | Set dimmer speed (nod0: fastest / nod4: slowest) |
| LED | -> | off | or | on | Toggle LED display on / off |
| | -> | t048 | Long press "Enter" button to show current temperature | | |
| VERn | -> | V01 | Show current software version | | |
| rSET | -> | no | or | YES | Restore settings to factory default |

Static Colour Mode

| Value | Function |
|-------|-------------------------------|
| C1 | Red |
| C2 | Green |
| C3 | Red+Green |
| C4 | Blue |
| C5 | Blue+Red+UV |
| C6 | Green+Blue |
| C7 | Red +Green+Blue+Amber+UV |
| C8 | White |
| C9 | Red+White |
| C10 | Green+White |
| C11 | Red+Amber |
| C12 | Blue+White+UV |
| C13 | Red + Blue+White+UV |
| C14 | Red + Blue+White |
| C15 | Red+Green+Blue+White+Amber+UV |

DMX Chart

6 Channel Mode

| Channel | Value | Function |
|---------|---------|------------------|
| 1 | 000-255 | Red: 0% ~ 100% |
| 2 | 000-255 | Green: 0% ~ 100% |
| 3 | 000-255 | Blue: 0% ~ 100% |
| 4 | 000-255 | White: 0% ~ 100% |
| 5 | 000-255 | Amber: 0% ~ 100% |
| 6 | 000-255 | UV: 0% ~ 100% |

11 Channel Mode

| Channel | Value | Function | Note |
|---------|-------------------|--------------------------------------|--------------------------------|
| 1 | 000-255 | Master DIMMER 0% ~ 100% | |
| 2 | 000-255 | Red: 0% ~ 100% | |
| 3 | 000-255 | Green: 0% ~ 100% | |
| 4 | 000-255 | Blue: 0% ~ 100% | |
| 5 | 000-255 | White: 0% ~ 100% | |
| 6 | 000-255 | Amber: 0% ~ 100% | |
| 7 | 000-255 | UV: 0% ~ 100% | |
| 8 | 000-012 | Strobe OFF | |
| | 013-255 | Strobe (slow-fast) | |
| 9 | 000-009 | No Function | |
| | 010-019 | Program 1 | |
| | 020-029 | Program 2 | |
| | 030-039 | Program 3 | |
| | 040-049 | Program 4 | |
| | 050-059 | Program 5 | |
| | 060-069 | Program 6 | |
| | 070-079 | Program 7 | |
| | 080-089 | Program 8 | |
| | 090-099 | Program 9 | |
| | 100-109 | Program 10 | |
| | 110-119 | Program 11 | |
| | 120-129 | Program 12 | |
| | 130-139 | Program 13 | |
| 140-255 | Sound active mode | | |
| 10 | 000-255 | Speed of auto programs (slow ~ fast) | Ch9 must be set between 10-139 |
| 11 | 000-255 | Colour fade time (jump ~ fade) | Mode must be set to "nod0" |

IR Remote

In order to use the IR Remote, PAR12X12L must be in DMX mode without an active DMX connection. If a DMX signal is received, PAR12X12L will prioritise the DMX signal and ignore the IR Remote.

Use **On/Off** to turn PAR12X12L on or off. The current IR settings will be saved automatically when PAR12X12L is powered off and reloaded when it is turned on again. To reset to the factory default Blackout mode, long press **Off**.

Press **R/G/B/W/A/U** to light up the LEDs in red, green, blue, white, amber or UV respectively. Press a number **0-9** in the orange shaded area to select a pre-set colour.

Press **+** to increase the intensity of the selected colour and **-** to decrease the intensity of the selected colour.

Press **Auto/Sound/Strobe** to switch on or off Auto mode, Sound Active mode and Strobe mode, respectively.

Press **Blackout** to clear all the remote settings and blackout PAR12X12L.



Technical Specifications

Photometric

- Light Source: 12x FGW RGBWAWU 6-in-1 LEDs
- Beam Angle: 40°
- PWM: 2,000 Hz
- LED Lifespan: 50,000hours

Effects

- Dimming: 0~100%
- Strobe: 1 - 20 Hz

Power

- Input Voltage: 100~240V AC, 50/60Hz
- Power Consumption: 60W
- Connection: IEC in/out

Control

- Operation Modes: DMX, manual, auto, sound active, IR remote, master/slave
- DMX channels: 6/11

Housing

- Materials: Die cast aluminium, matte black finish
- Cooling: Fanless Cooling
- Net weight: 1.85kg

Warranty

Please refer to your local Kookaburra Account Manager.